

Pressure Monitoring



medexTM

- Disposable Transducer Systems
- Reusable Transducer Systems
- Pressure Infusor Bags
- Accessories and Components
- Pressure Monitoring Cables

**For More
Information
Call Customer
Service at
800.258.5361**

Pressure Monitoring

01 Disposable Transducer Systems
p2 TranStar® Transducers
02 Reusable Transducer Systems
p12 LogiCal® Transducer Systems
p21 NovaTrans® Transducer Systems
03 Pressure Infusor Bags
p25 Clear Cuff®
p25 C-Fusor® Pressure Infusors
04 Accessories and Components
p28 Mounting Accessories
p31 Closed Blood Sampling
p33 Pressure Monitoring Tubing
p35 Pressure Monitoring Accessories and Components
05 Pressure Monitoring Cables
p39 Single, Double, Triple and Quad

Pressure Monitoring Disposable Transducer Systems



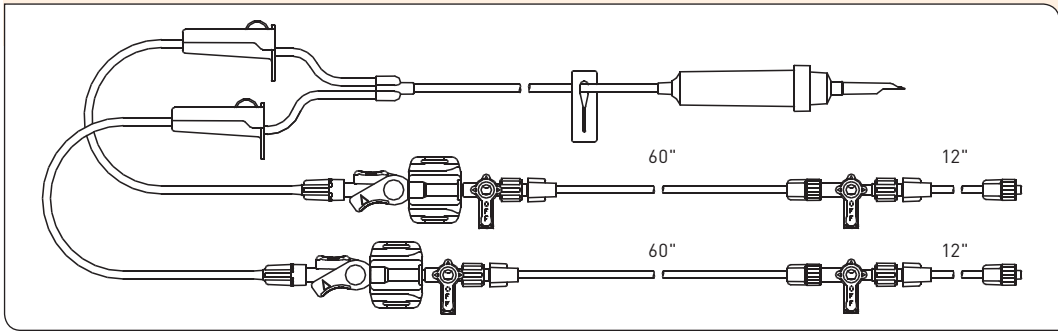
TranStar® Transducers	p2
TranStar® Kits	p2
TranStar® Single Kits	p2
TranStar® Double Kits	p3
TranStar® Triple Kits	p3
TranStar® Disposable Pressure Transducers / Stopcocks	p4
TranStar® Closed Blood Sampling System	p5
TranStar® Kids Kits®	p5
TranStar® SECURE® Kits	p6
TranStar® HemoDraw™ Closed Blood Sampling Invasive Pressure Monitoring Kits	p7
HemoDraw™ Single Line Kits	p7
HemoDraw™ Double Line Kits	p8
HemoDraw™ Triple Line Kits	p9

TranStar® Transducer Single Kits

PRODUCT CODE	DESCRIPTION	UNITS PER CASE
MX9501T	TranStar® 12" (29 cm) Patient Mount Monitoring Kit	10
MX9504T	TranStar® 60" (152 cm) Single Monitoring Kit	10
MX9505T	TranStar® 84" (213 cm) Single Monitoring Kit	10
MX9510T	TranStar® 72" (183 cm) Single Line (without Administration Set), may be used with MX9513T	10
MX9530T	Neonatal TranStar® Monitoring Kit, 12", 30cc / hr Flush Device with Orange Insert	10

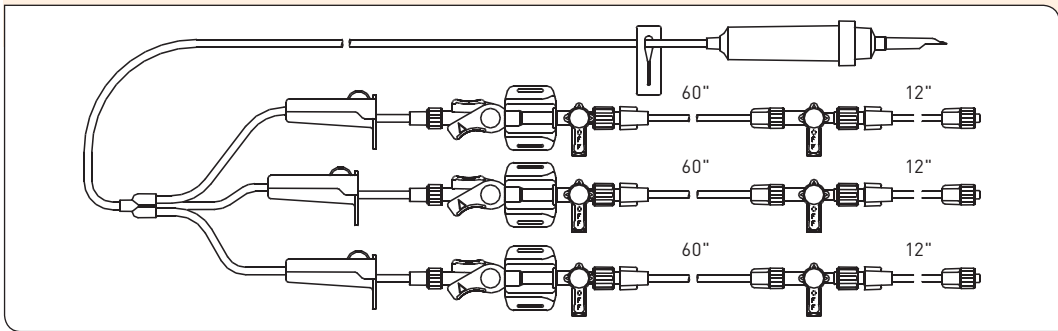
TranStar® Transducer Double Kits

PRODUCT CODE	DESCRIPTION	UNITS PER CASE
MX9502T	TranStar® 72" (183 cm) Double Monitoring Kit	10

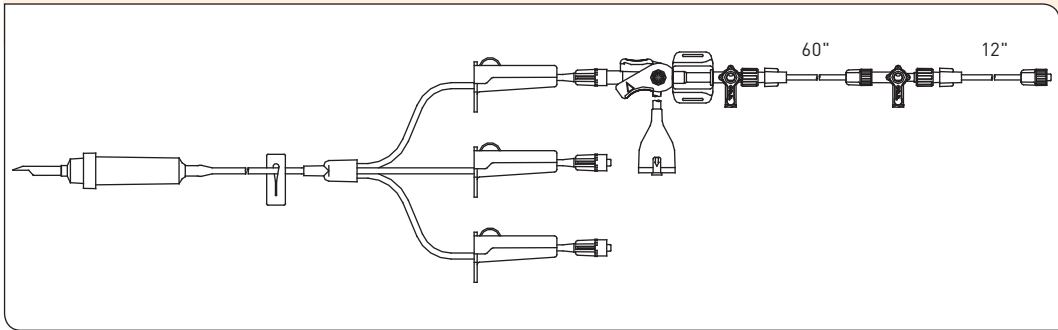


TranStar® Transducer Triple Kits

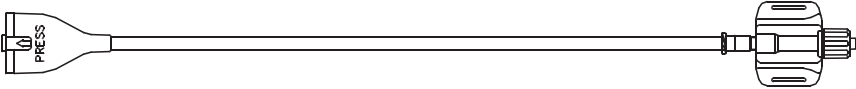
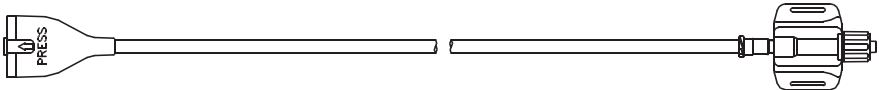
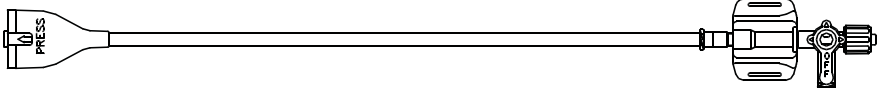
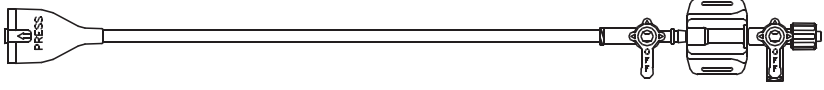
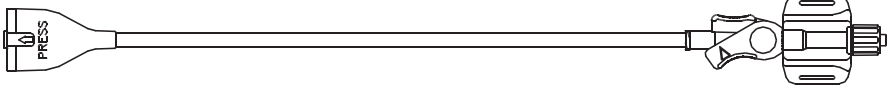
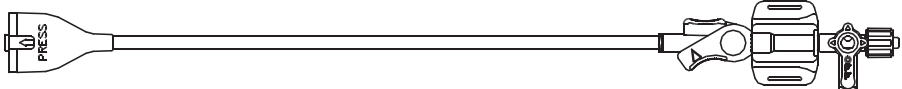
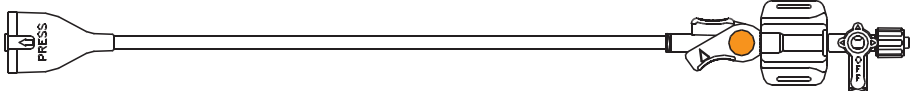
PRODUCT CODE	DESCRIPTION	UNITS PER CASE
MX9506T	TranStar® 72" (183 cm) Triple Monitoring Kit	10



MX9513T	TranStar® 72" (183 cm) Trifurcated Add-On Kit, may be used with MX9510T	10
----------------	---	----



TranStar® Pressure Monitoring Kits

PRODUCT CODE	DESCRIPTION	UNITS PER CASE
MX950	TranStar® Disposable Pressure Transducer with 12" Cable	10
		
MX950L	TranStar® Disposable Pressure Transducer with 60" Cable	5
		
MX950XSC	TranStar® Disposable Pressure Transducer with Stopcock	10
		
MX950X2SC	TranStar® Disposable Pressure Transducer with Two Stopcocks	10
		
MX950FT	TranStar® Disposable Pressure Transducer with 3cc/hr Flush	10
		
MX950SCFT	TranStar® Disposable Pressure Transducer with Stopcock and 3cc/hr Flush	10
		
MX950SCNT	Neonatal TranStar® Disposable Pressure Transducer with Stopcock and 30cc/hr Flush with Orange Insert	10
		

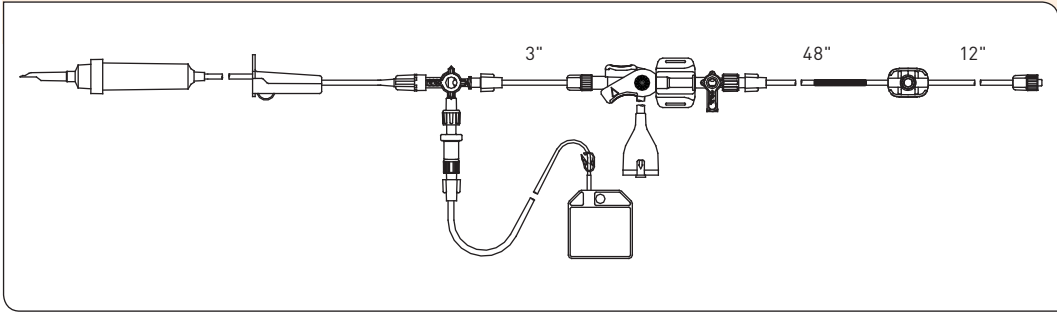
TranStar® Kids Kit™ Needle Free Closed Blood Sampling System

PRODUCT CODE	DESCRIPTION	UNITS PER CASE
MX9543	TranStar® Kids Kit™ 19" (48 cm) Closed Blood Sample Set	10
MX9544	TranStar® Kids Kit™ 31" (79 cm) Closed Blood Sample Set	10
MX9545	TranStar® Kids Kit™ 34" (86 cm) Closed Blood Sample Set	10
MX9547	TranStar® Kids Kit™ 7" (18 cm) Closed Blood Sample Set	10
MX9548	TranStar® Kids Kit™ 10" (25 cm) Closed Blood Sample Set	10

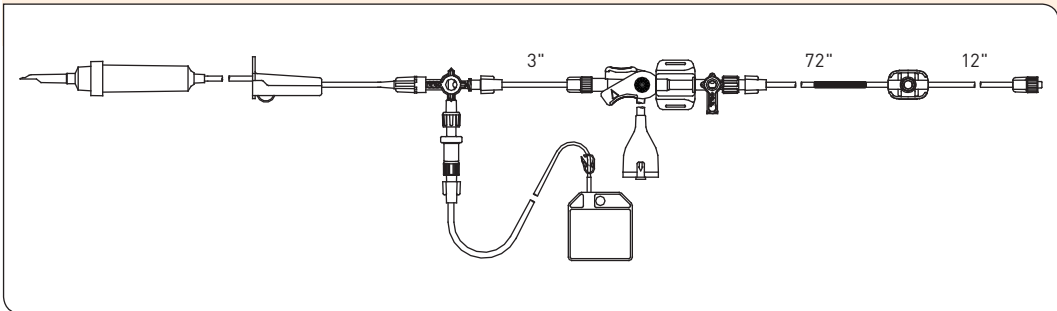
TranStar® SECURE® Needle Free Closed Blood Sampling Kits

PRODUCT CODE	DESCRIPTION	UNITS PER CASE
--------------	-------------	----------------

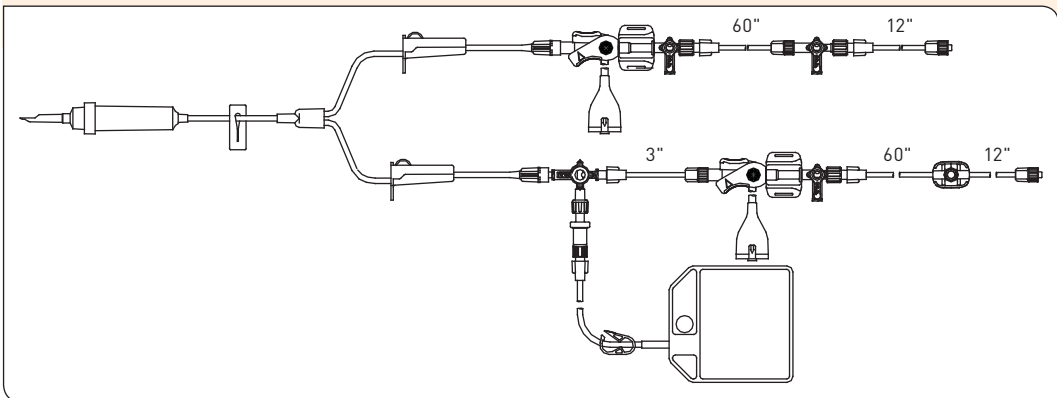
MX9514	TranStar® 60" (152 cm) SECURE® Monitoring Kit	10
---------------	---	----



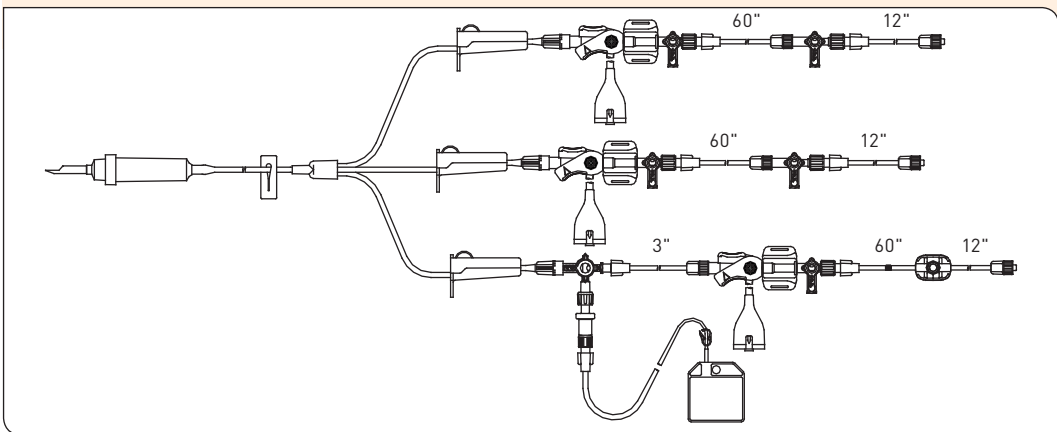
MX9515	TranStar® 84" (213 cm) SECURE® Monitoring Kit	10
---------------	---	----



MX9512	TranStar® 72" (183 cm) SECURE® Double Kit	10
---------------	---	----



MX9516	TranStar® 72" (183 cm) SECURE® Triple Kit	10
---------------	---	----



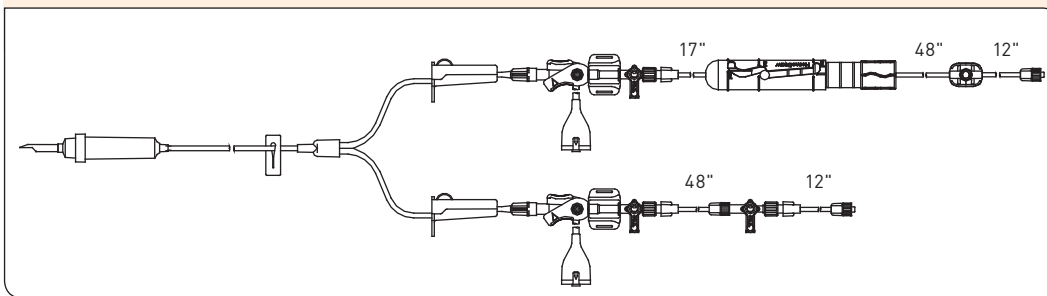
TranStar® HemoDraw™ Single Line Invasive Pressure Monitoring Kits

PRODUCT CODE	DESCRIPTION	UNITS PER CASE
MX9512H001C1	TranStar® HemoDraw™ 24" (61 cm) Single Line, 1 Sample Site, Extension with 1-Way Stopcock	10
MX9513H001C1	TranStar® HemoDraw™ 36" (91 cm) Single Line, 1 Sample Site, Extension with 1-Way Stopcock	10
MX9514H001C1	TranStar® HemoDraw™ 48" (122 cm) Single Line, 2 Sample Sites, Extension with 1-Way Stopcock	10
MX9515H000C1	TranStar® HemoDraw™ 60" (152 cm) Single Line, 1 Sample Site, Extension with 1-Way Stopcock	10
MX9515H001C1	TranStar® HemoDraw™ 60" (152 cm) Single Line, 2 Sample Sites, Extension with 1-Way Stopcock	10
MX9516H000C1	TranStar® HemoDraw™ 72" (183 cm) Single Line, 1 Sample Site	10
MX9516H001C1	TranStar® HemoDraw™ 72" (183 cm) Single Line, 2 Sample Sites	10

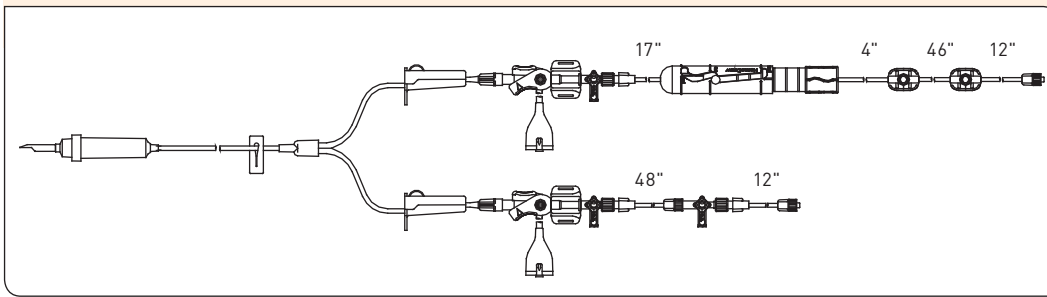
TranStar® HemoDraw™ Double Line Invasive Pressure Monitoring Kits

PRODUCT CODE	DESCRIPTION	UNITS PER CASE
--------------	-------------	----------------

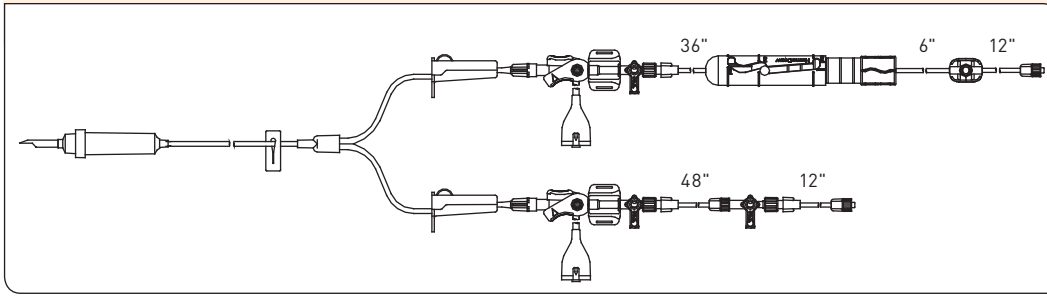
MX9525H003C1	TranStar® HemoDraw™ 60" (152 cm) Double Line, 1 Sample Site	10
---------------------	---	----



MX9525H004C1	TranStar® HemoDraw™ 60" (152 cm) Double Line, 2 Sample Sites	10
---------------------	--	----



MX9525H002C1	TranStar® HemoDraw™ 60" (152 cm) Double Line, 1 Sample Site	10
---------------------	---	----



TranStar® HemoDraw™ Triple Line Invasive Pressure Monitoring Kits

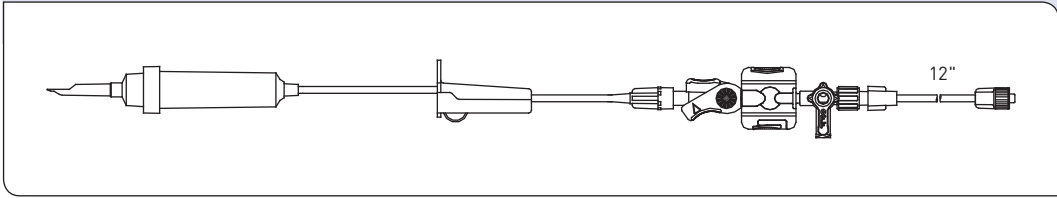
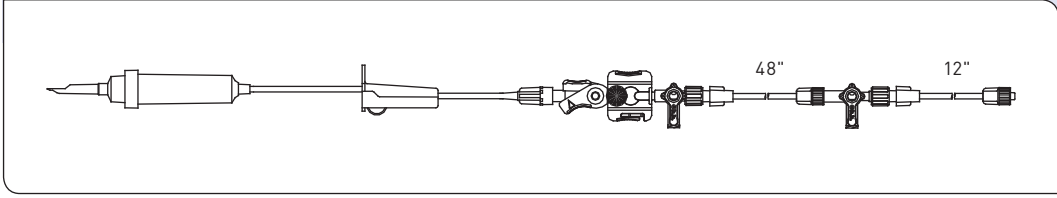
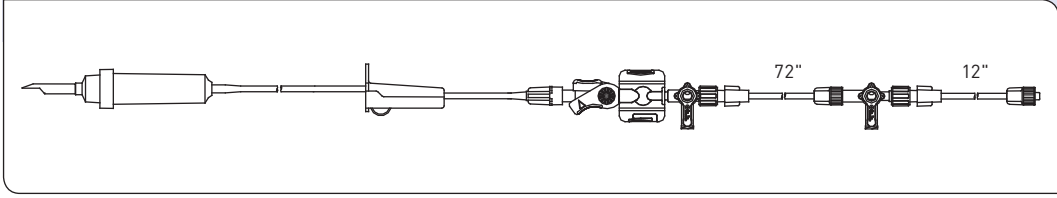
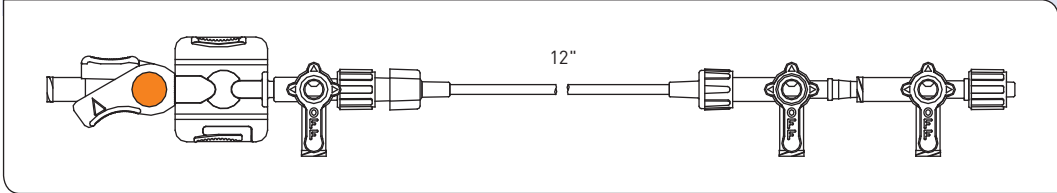
PRODUCT CODE	DESCRIPTION	UNITS PER CASE
MX9535H001C1	TranStar® HemoDraw™ 60" (152 cm) Triple Line, 2 Sample Sites, Extension with Stopcock	10
MX9535H002C1	TranStar® HemoDraw™ 60" (152 cm) Triple Line, 2 Sample Sites	10
MX9536H001C1	TranStar® HemoDraw™ 72" (183 cm) Triple Line, 1 Sample Site	10
MX9535H003C1	TranStar® HemoDraw™ 60" (152 cm) Triple Line, 1 Sample Site	10

Pressure Monitoring Reusable Transducer Systems



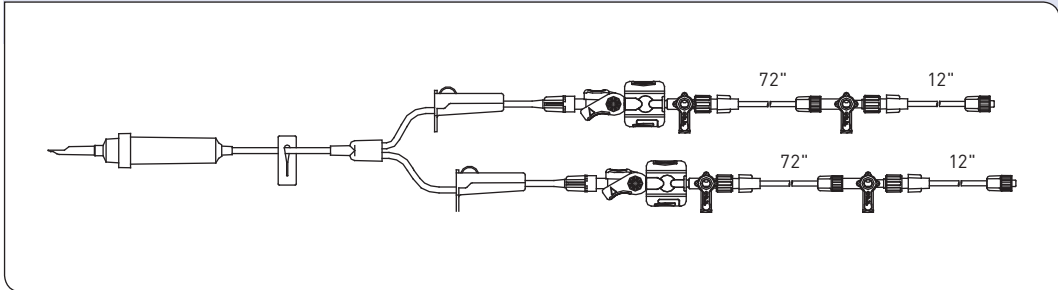
LogiCal® Transducer Systems	p12
LogiCal® Kits	p12
LogiCal® Single Kit	p12
LogiCal® Double Kits	p13
LogiCal® Triple Kits	p13
LogiCal® Cartridges	p14
LogiCal® Component	p14
LogiCal® Closed Blood Sampling Systems	p15
LogiCal® Kids Kits®	p15
LogiCal® SECURE® Kits	p16
LogiCal® HemoDraw™ Closed Blood Sampling Invasive Pressure Monitoring Kits	p18
HemoDraw™ Single Line Kits	p18
HemoDraw™ Double Line Kits	p19
HemoDraw™ Triple Line Kits	p20
NovaTrans® Transducer Systems	p21
NovaTrans® Kits	p21
NovaTrans® Single Kit	p21
NovaTrans® Dome / Stopcock	p21
NovaTrans® Pressure Monitoring Kits	p22
NovaTrans® Closed Blood Sampling Systems	p22
NovaTrans® Kids Kits®	p22
NovaTrans® SECURE® Kits	p22

LogiCal® Pressure Transducer Single Kits

PRODUCT CODE	DESCRIPTION	UNITS PER CASE
MX9601A	LogiCal® 12" (29 cm) Patient Mount Monitoring Kit	10
		
MX9604A	LogiCal® 60" (152 cm) Single Monitoring Kit	10
		
MX9605A	LogiCal® 84" (213 cm) Single Monitoring Kit	10
		
MX9630A	Neonatal LogiCal® 12" Monitoring Kit, 30cc / hr Flush Device with Orange Insert	10
		

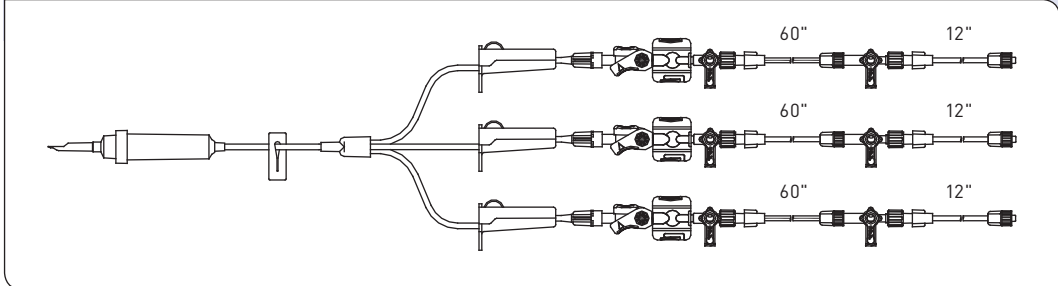
LogiCal® Pressure Transducer Double Kit

PRODUCT CODE	DESCRIPTION	UNITS PER CASE
MX9602A	LogiCal® 84" (213 cm) Double Monitoring Kit	10

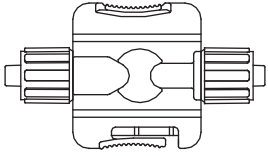
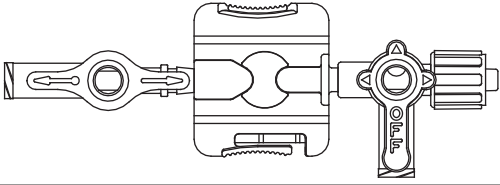
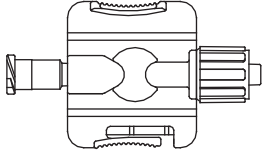
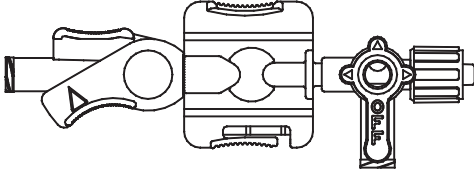
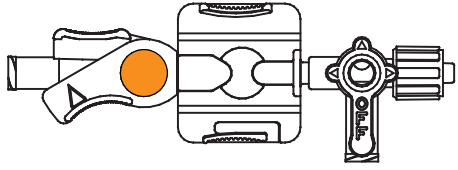


LogiCal® Pressure Transducer Triple Kit

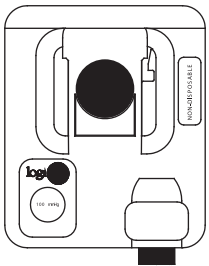
PRODUCT CODE	DESCRIPTION	UNITS PER CASE
MX9606A	LogiCal® 72" (183 cm) Triple Monitoring Kit	10



LogiCal® Pressure Transducer Cartridges

PRODUCT CODE	DESCRIPTION	UNITS PER CASE
MX960XX	LogiCal® Cartridge Male / Male	50
		
MX960X2SC	LogiCal® Cartridge with Two Stopcocks	25
		
MX960XY	LogiCal® Cartridge Male / Female	50
		
MX960SCFA	LogiCal® Cartridge with Stopcock and 3cc Flush	10
		
MX960SCNA	Neonatal LogiCal® Cartridge with Stopcock and 30cc / hr Flush Device with Orange Insert	10
		

LogiCal® Pressure Transducer System Component

PRODUCT CODE	DESCRIPTION	UNITS PER CASE
MX960	LogiCal® Reusable Transducer Mounting Plate	5
		

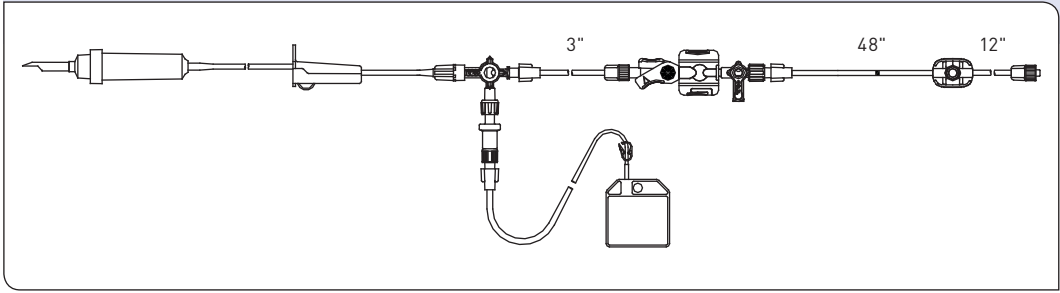
LogiCal® Kids Kit™ Needle Free Closed Blood Sampling System

PRODUCT CODE	DESCRIPTION	UNITS PER CASE
MX9644	LogiCal® Kids Kit™ 31" (76 cm) Closed Blood Sample Set	10
MX9645	LogiCal® Kids Kit™ 34" (83 cm) Closed Blood Sample Set	10
MX9647	LogiCal® Kids Kit™ 7" (18 cm) Closed Blood Sample Set	10
MX9648	LogiCal® Kids Kit™ 10" (25 cm) Closed Blood Sample Set	10

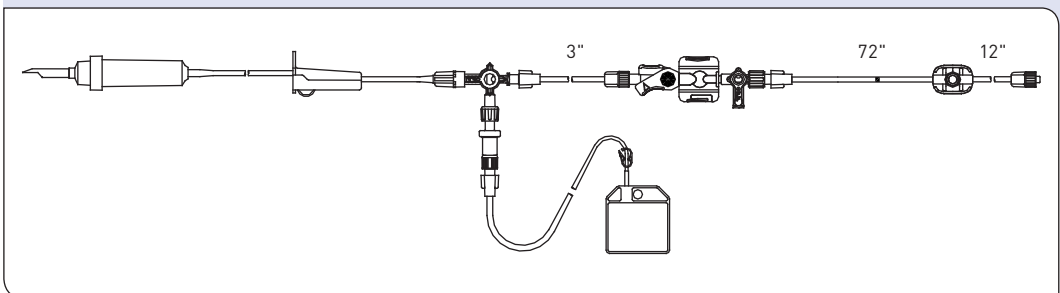
LogiCal® SECURE® Needle Free Closed Blood Sampling System

PRODUCT CODE	DESCRIPTION	UNITS PER CASE
--------------	-------------	----------------

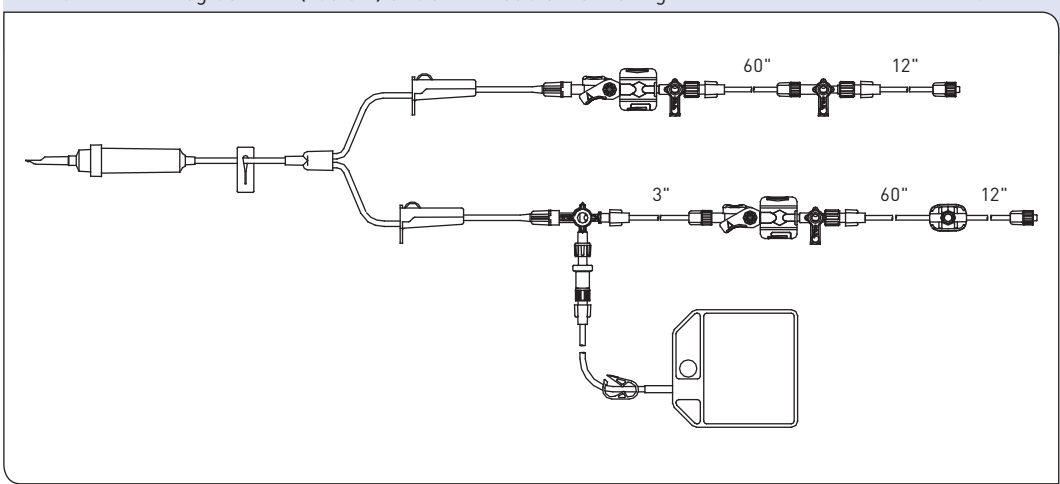
MX9614	LogiCal® 60" (152 cm) SECURE® Monitoring Kit	10
---------------	--	----



MX9615	LogiCal® 84" (213 cm) SECURE® Monitoring Kit	10
---------------	--	----



MX9612	LogiCal® 72" (183 cm) SECURE® Double Monitoring Kit	10
---------------	---	----



LogiCal® SECURE® Needle Free Closed Blood Sampling System

PRODUCT CODE	DESCRIPTION	UNITS PER CASE
MX9616	LogiCal® 72" (183 cm) SECURE® Triple Monitoring Kit	10

The diagram illustrates the LogiCal SECURE Triple Monitoring Kit. It features a central hub with three ports. Each port leads to a separate monitoring line. The top two lines are identical, each consisting of a 60-inch segment followed by a 12-inch segment. The bottom line is more complex, starting with a 3-inch segment, followed by a 60-inch segment, and ending with a 12-inch segment. A small container is connected to the bottom line via a separate tube.

LogiCal® HemoDraw™ Single Line Invasive Pressure Monitoring Kits

PRODUCT CODE	DESCRIPTION	UNITS PER CASE
MX9612H001C1	LogiCal® HemoDraw™ 24" (61 cm) Single Line, 1 Sample Site, Extension with 1-Way Stopcock	10
MX9613H001C1	LogiCal® HemoDraw™ 36" (91 cm) Single Line, 1 Sample Site, Extension with 1-Way Stopcock	10
MX9614H001C1	LogiCal® HemoDraw™ 48" (122 cm) Single Line, 2 Sample Sites, Extension with 1-Way Stopcock	10
MX9615H000C1	LogiCal® HemoDraw™ 60" (152 cm) Single Line, 1 Sample Site, Extension with 1-Way Stopcock	10
MX9615H001C1	LogiCal® HemoDraw™ 60" (152 cm) Single Line, 2 Sample Sites, Extension with 1-Way Stopcock	10
MX9616H000C1	LogiCal® HemoDraw™ 72" (183 cm) Single Line, 1 Sample Site	10
MX9616H001C1	LogiCal® HemoDraw™ 72" (183 cm) Single Line, 2 Sample Sites	10

LogiCal® HemoDraw™ Double Line Invasive Pressure Monitoring Kits

PRODUCT CODE	DESCRIPTION	UNITS PER CASE
MX9625H003C1	LogiCal® HemoDraw™ 60" (152 cm) Double Line, 1 Sample Site	10
MX9625H004C1	LogiCal® HemoDraw™ 60" (152 cm) Double Line, 2 Sample Sites	10
MX9625H002C1	LogiCal® HemoDraw™ 60" (152 cm) Double Line, 1 Sample Site	10

LogiCal® HemoDraw™ Triple Line Invasive Pressure Monitoring Kits

PRODUCT CODE	DESCRIPTION	UNITS PER CASE
MX9635H001C1	LogiCal® HemoDraw™ 60" (152 cm) Triple Line, 2 Sample Sites, Extension with Stopcock	10
MX9635H002C1	LogiCal® HemoDraw™ 60" (152 cm) Triple Line, 2 Sample Sites	10
MX9636H001C1	LogiCal® HemoDraw™ 72" (183 cm) Triple Line, 1 Sample Site	10
MX9635H003C1	LogiCal® HemoDraw™ 60" (152 cm) Triple Line, 1 Sample Site	10


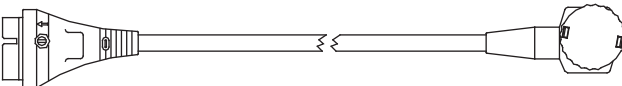
NovaTrans® Transducer Single Kits

PRODUCT CODE	DESCRIPTION	UNITS PER CASE
MX8004T	NovaTrans® Monitoring Kit 60" (152 cm) Single Line	10
MX8005T	NovaTrans® Monitoring Kit 84" (213 cm) Single Line	10

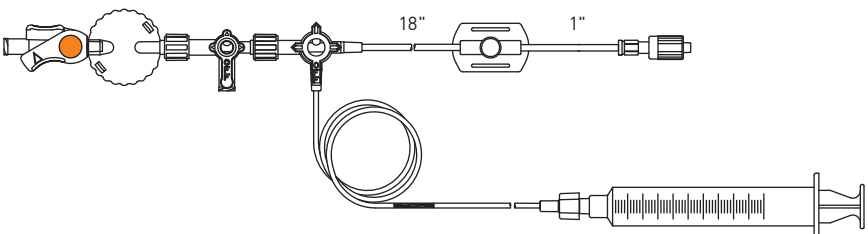
NovaTrans® Dome / Stopcock

PRODUCT CODE	DESCRIPTION	UNITS PER CASE
MX848P1	NovaTrans® Disposable Dome with Male / Female Luer Lock	50
MX848X2SC	NovaTrans® Disposable Dome with 3-Way Stopcock and 1-Way Stopcock	25
MX858P1	NovaTrans® Disposable Dome with Male / Male Swivel Luer Lock	50
MX848T2SC	NovaTrans® with 2 Stopcocks 48" (121 cm) Pressure Line	25

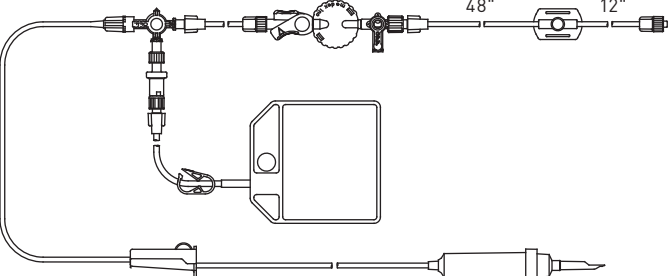
NovaTrans® Pressure Monitoring Kits

PRODUCT CODE	DESCRIPTION	UNITS PER CASE
MX860	NovaTrans® II Reusable Pressure Transducer Non-Sterile, 1 Foot Cable	5
		
MX866	NovaTrans® II Reusable Pressure Transducer Non-Sterile Extended Cable, 5 Feet	5
		

NovaTrans® Kids Kit™ Needle Free Closed Blood Sampling System

PRODUCT CODE	DESCRIPTION	UNITS PER CASE
MX8133	NovaTrans® Kids Kit™ 19" (48 cm) Closed Blood Sample Set	10
		

NovaTrans® SECURE® Needle Free Closed Blood Sampling System

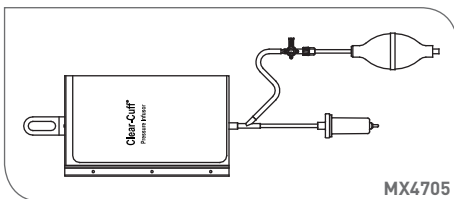
PRODUCT CODE	DESCRIPTION	UNITS PER CASE
MX8024	NovaTrans® Single 60" (152 cm) Closed Blood Sample Kit	10
		



Pressure Monitoring Pressure Infusors

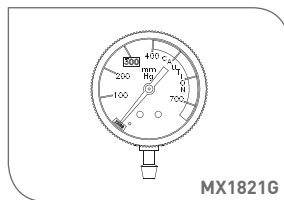
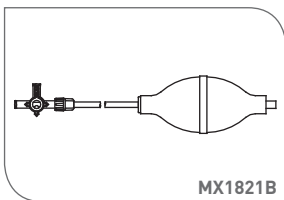
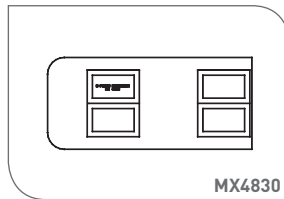
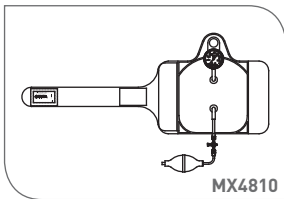
Clear-Cuff®

PRODUCT CODE	DESCRIPTION	UNITS PER CASE
MX4705	Clear-Cuff® 500 ml Pressure Infusor	10
MX4710	Clear-Cuff® 1000 ml Pressure Infusor	10



C-Fusor® Pressure Infusors

PRODUCT CODE	DESCRIPTION	UNITS PER CASE
MX4805	C-Fusor® 500 ml Pressure Infusor	1
MX4810	C-Fusor® 1000 ml Pressure Infusor	1
MX4830	C-Fusor® Extension 3000 ml	1
MX1821B	C-Fusor® Replacement Squeeze Bulb Assembly	1
MX1821G	C-Fusor® Replacement Pressure Gauge	1



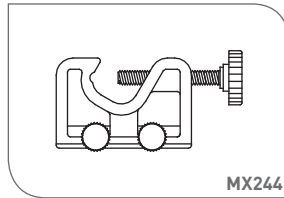
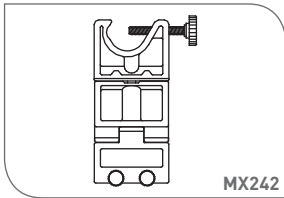
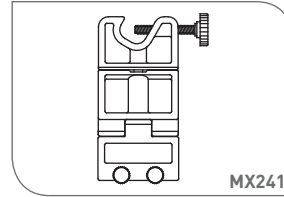
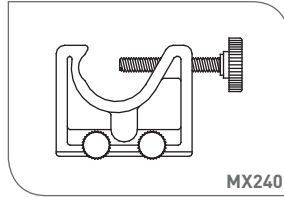
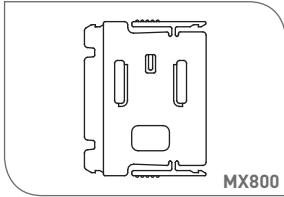
Pressure Monitoring Accessories and Components



Mounting Accessories	p28
TranStar® and NovaTrans®	p28
LogiCal®	p28
Closed Blood Sampling	p30
Blood Sampling Access Devices and Brackets	p30
HemoDraw™ Mounting Accessories	p30
Add-On Kids Kits®	p31
Waste Bag	p32
Flush Devices	p32
Pressure Monitoring Tubing	p33
Pressure Monitoring Components & Accessories	p35
Non-Vented Administration Sets	p35
Pressure Monitoring Components	p36
Manometers	p37

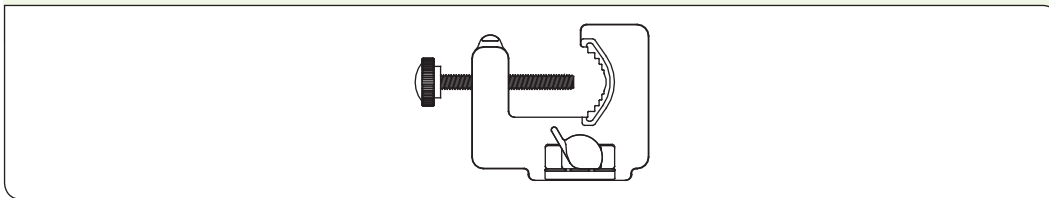
TranStar® and NovaTrans® Mounting Accessories

PRODUCT CODE	DESCRIPTION	UNITS PER CASE
MX800	TranStar® Modular Transducer Mounting Plates	20
MX240	TranStar® Pole Clamp for Mounting a Transducer Plate (Fits $\frac{3}{4}$ " to $1\frac{1}{2}$ " I.V. Pole)	1
MX241	NovaTrans® Novaclamp Multi-Positional Mount for I.V. Pole	1
MX242	NovaTrans® Novaclamp for Mounting a Transducer Plate (Fits $1\frac{1}{2}$ " I.V. Pole)	1
MX244	TranStar® Mount for a Transducer Plate (Fits $\frac{3}{8}$ " to 1" I.V. Pole)	1

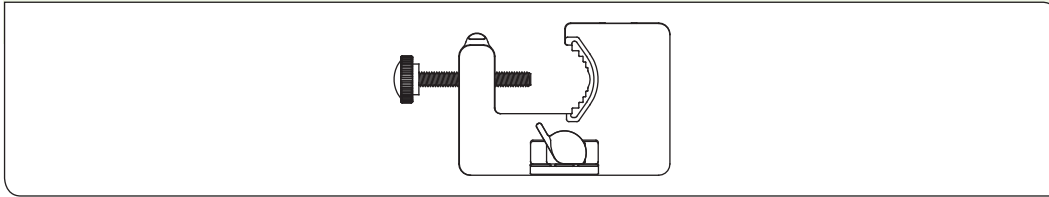


LogiCal® Mounting Accessories

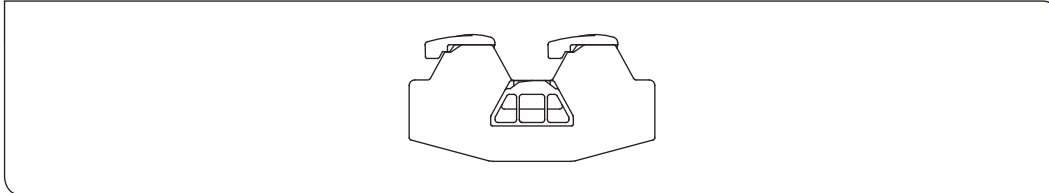
PRODUCT CODE	DESCRIPTION	UNITS PER CASE
MX260P1	LogiCal® I.V. Pole Clamp for 1 Transducer Mount Plate	1



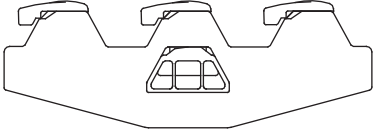
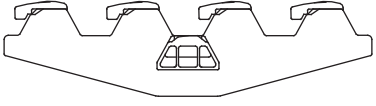

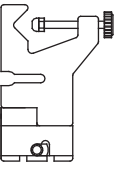
MX261	LogiCal® I.V. Pole Clamp for Multiple Transducer Plate Brackets	1
--------------	---	---



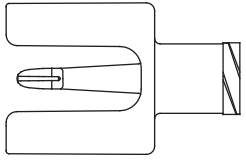
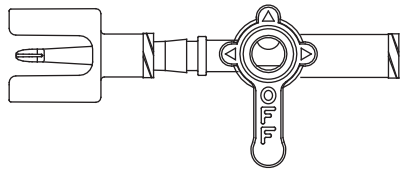
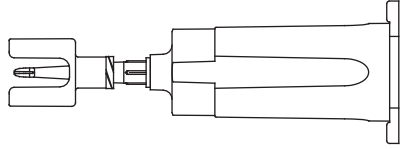
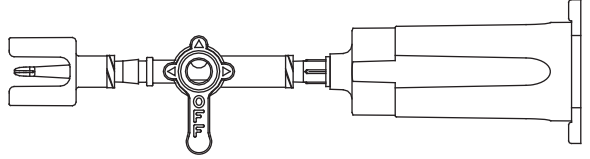
MX262	LogiCal® Bracket for 2 Transducer Mount Plates	1
--------------	--	---



LogiCal® Mounting Accessories

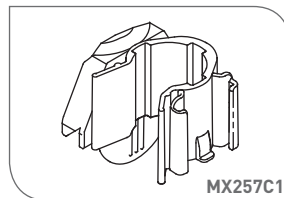
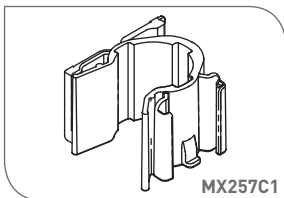
PRODUCT CODE	DESCRIPTION	UNITS PER CASE
MX263	LogiCal® Bracket for 3 Transducer Mount Plates	1
		
MX264	LogiCal® Bracket for 4 Transducer Mount Plates	1
		
MX260PM	LogiCal® Patient Mount 1 Transducer Mount Plate	50
		
MX261AS	Universal Pole Clamp for LogiCal® Brackets	1
		

Blood Sampling Access Devices

PRODUCT CODE	DESCRIPTION	UNITS PER CASE
MX920NF	Blunt Cannula Needle Free Access Device	100
		
MX921NF	Blunt Cannula Needle Free Access Device with 1-Way Stopcock	50
		
MX922NF	Blunt Cannula Needle Free Access Device with Vacuum Tube Holder	25
		
MX923NF	Blunt Cannula Needle Free Access Device with Stopcock and Vacuum Tube Holder	25
		

HemoDraw™ Mounting Accessories

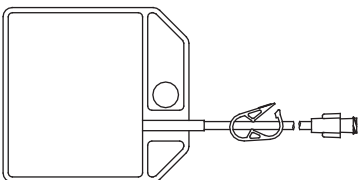
PRODUCT CODE	DESCRIPTION	UNITS PER CASE
MX257C1	TranStar® HemoDraw™ Reservoir Bracket	50
MX267C1	LogiCat® HemoDraw™ Reservoir Bracket	50



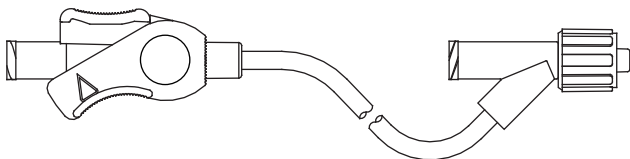
Add-On Kids Kit™ Needle Free Closed Blood Sampling System

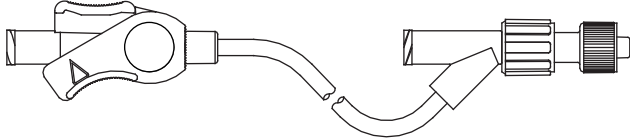
PRODUCT CODE	DESCRIPTION	UNITS PER CASE
MX4133	Add-On Kids Kit™ 19" (48 cm) Closed Blood Sample Kit	10
MX4137	Add-On Kids Kit™ 1" (3 cm) Closed Blood Sample Kit	10
MX4138	Add-On Kids Kit™ 22" (56 cm) Closed Blood Sample Kit	10

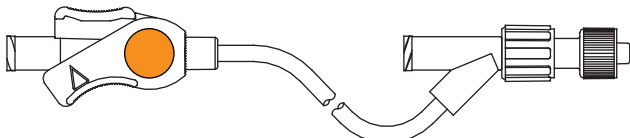
Waste Bag

PRODUCT CODE	DESCRIPTION	UNITS PER CASE
MX818P1	SECURE® Replacement Reservoir Bag	10
		

Flush Devices

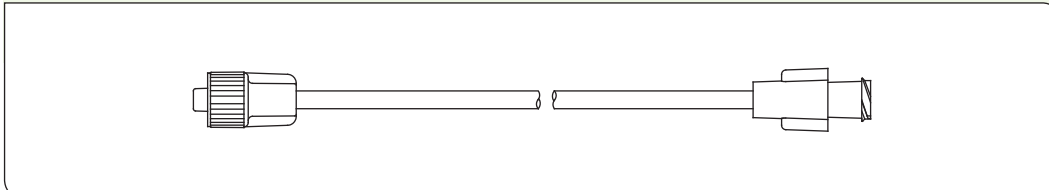
PRODUCT CODE	DESCRIPTION	UNITS PER CASE
MX503A	2-4cc/hr Flush Device with Locknut	50
		

MX503GYA	2-4cc/hr Trigger Flush	50
		

MX530YA	27-33cc/hr Trigger Flush with Orange Insert	50
		

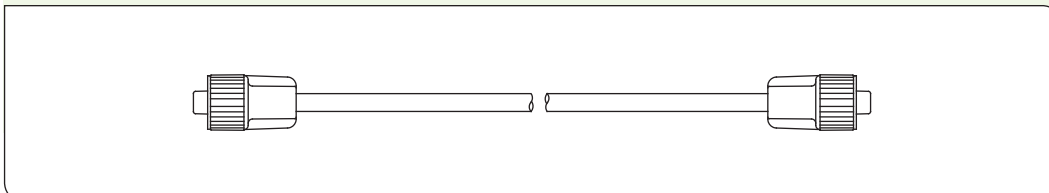
Pressure Monitoring Tubing with Male / Female Luer Lock

PRODUCT CODE	DESCRIPTION	UNITS PER CASE
MX560	6" (15.2 cm) PVC Pressure Monitoring Line	25
MX561	12" (30.5 cm) PVC Pressure Monitoring Line	25
MX562	24" (61.0 cm) PVC Pressure Monitoring Line	25
MX563	36" (91.4 cm) PVC Pressure Monitoring Line	25
MX563L	36" (91.4 cm) PVC Pressure Monitoring Line, for use with Linden Lock Nut	25
MX564	48" (121.9 cm) PVC Pressure Monitoring Line	25
MX566	72" (182.9 cm) PVC Pressure Monitoring Line	25
MX567	84" (213.4 cm) PVC Pressure Monitoring Line	25
MX568	96" (243.8 cm) PVC Pressure Monitoring Line	25



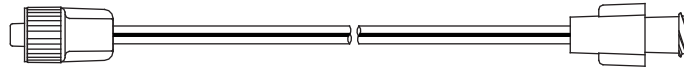
Pressure Monitoring Tubing with Male / Male Luer Lock

PRODUCT CODE	DESCRIPTION	UNITS PER CASE
MX570	6" (15.2 cm) PVC Pressure Monitoring Line	25
MX571	12" (30.5 cm) PVC Pressure Monitoring Line	25
MX572	24" (61.0 cm) PVC Pressure Monitoring Line	25
MX573	36" (91.4 cm) PVC Pressure Monitoring Line	25
MX574	48" (121.9 cm) PVC Pressure Monitoring Line	25
MX576	72" (182.9 cm) PVC Pressure Monitoring Line	25
MX578	96" (243.8 cm) PVC Pressure Monitoring Line	25



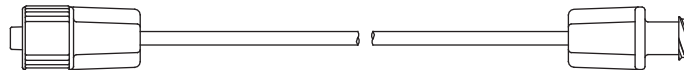
Pressure Monitoring Tubing with Male / Female Luer Lock (Red)

PRODUCT CODE	DESCRIPTION	UNITS PER CASE
MX540R	6" (15.2 cm) Guide Stripe PVC Pressure Monitoring Line	25
MX541R	12" (30.5 cm) Guide Stripe PVC Pressure Monitoring Line	25
MX542R	24" (61.0 cm) Guide Stripe PVC Pressure Monitoring Line	25
MX543R	36" (91.4 cm) Guide Stripe PVC Pressure Monitoring Line	25
MX544R	48" (121.9 cm) Guide Stripe PVC Pressure Monitoring Line	25
MX546R	72" (182.9 cm) Guide Stripe PVC Pressure Monitoring Line	25


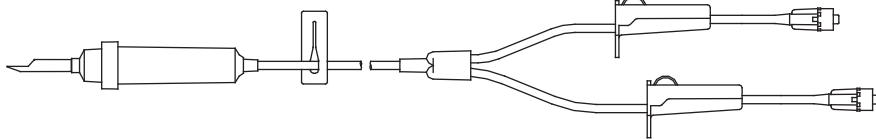
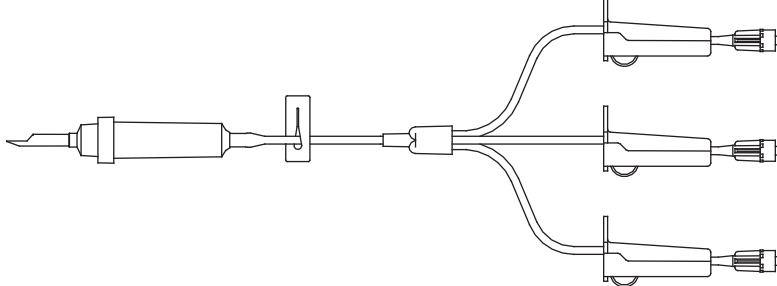


Pressure Monitoring Tubing with Male / Female Luer Lock (Low Volume)

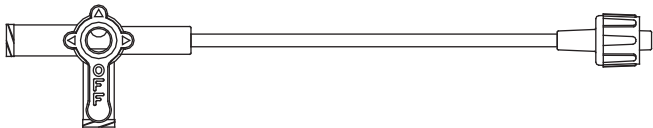
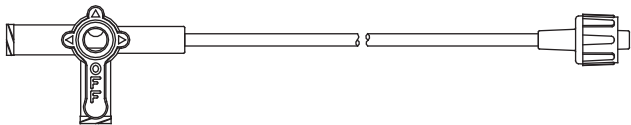

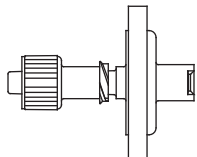

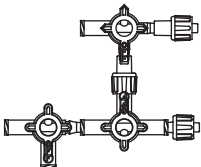
PRODUCT CODE	DESCRIPTION	UNITS PER CASE
MX661	12" (30.5 cm) Low Volume Polyethylene Pressure Monitoring Tubing	25
MX663	36" (91.4 cm) Low Volume Polyethylene Pressure Monitoring Tubing	25
MX664	48" (121.9 cm) Low Volume Polyethylene Pressure Monitoring Tubing	25
MX666	72" (182.8 cm) Low Volume Polyethylene Pressure Monitoring Tubing	25



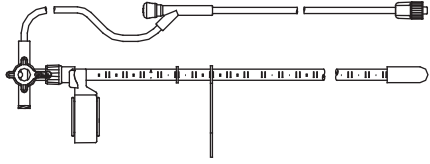
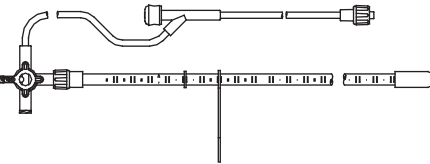
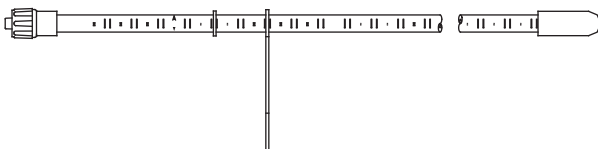
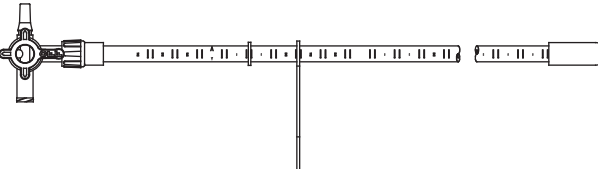
Non-Vented Administration Sets

PRODUCT CODE	DESCRIPTION	UNITS PER CASE
MX821S	Fluid Administration Set	25
		
MX822S	Bifurcated Fluid Administration Set	25
		
MX823S	Trifurcated Fluid Administration Set	25
		

Pressure Monitoring Components

PRODUCT CODE	DESCRIPTION	UNITS PER CASE
MX43660	6" (15 cm) Low Volume PVC Pressure Monitoring Extension with Male Luer Lock and 3-Way Stopcock	25
		
MX43661	12" (30 cm) Low Volume PVC Pressure Monitoring Extension with Male Luer Lock and 3-Way Stopcock	25
		
MX43860	6" (15 cm) Low Volume PVC Pressure Monitoring Extension with Male Luer Lock and 4-Way Stopcock	25
		
MX801	Hydrophobic Bacterial Filter with 0.22 Micron Air Filter	50
		
MX805	Hydrophobic Monitoring Line Filter with 0.45 Micron Filter and Male Luer Lock	25
		
MX999	PA-CVP Bridge	25
		

Manometers

PRODUCT CODE	DESCRIPTION	UNITS PER CASE
MX441	35 cm Manometer Set: 4-Way Stopcock, 50" Extension Set with "Y" Site 34" from Male Luer Lock, includes 3/4" and 1" Pole Clamps	10
		
MX441B	Boxed 35 cm Manometer Set: 4-Way Stopcock, 50" Extension Set with "Y" Site 34" from Male Luer Lock, includes 3/4" and 1" pole clamps	10
		
MX443	35 cm Manometer Set with Male Luer Lock, Hanger Strap	20
		
MX447	35 cm Manometer Set with 3-Way Stopcock, Hanger Strap	20
		




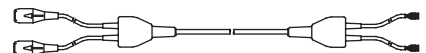



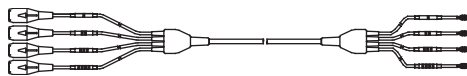


Pressure Monitoring Pressure Monitoring Cables

Single, Double, Triple and Quad Channel Cables

Pressure Monitoring cables to connect pressure transducers (TranStar®, LogiCal®, and NovaTrans®) to patient monitors can be ordered by contacting Customer Service at 800.258.5361. Please specify the type of:

- Pressure Transducer (TranStar®, LogiCal®, or NovaTrans®)
- Monitor Manufacturer Name
- Monitor Manufacturer Model Number
- Single, Double, Triple or Quad Branched Cables

LogiCal®	TranStar®
<p>Single</p> 	<p>Single</p> 
<p>Double</p> 	<p>Double</p> 
<p>Triple</p> 	<p>Triple</p> 
<p>Quad</p> 	<p>Quad</p> 

Index

REORDER NO.	PAGE	REORDER NO.	PAGE	REORDER NO.	PAGE	REORDER NO.	PAGE
MX1821B	25	MX563L.....	33	MX950FT.....	4	MX9612.....	16
MX1821G	25	MX564.....	33	MX950L.....	4	MX9612H001C1	18
MX240.....	28	MX566.....	33	MX950SCFT	4	MX9613H001C1	18
MX241.....	28	MX567.....	33	MX950SCNT	4	MX9614.....	16
MX242.....	28	MX568.....	33	MX950X2SC	4	MX9614H001C1	18
MX244.....	28	MX570.....	33	MX950XSC	4	MX9615.....	16
MX257C1	30	MX571.....	33	MX9510T.....	2	MX9615H000C1	18
MX260P1	28	MX572.....	33	MX9512.....	6	MX9615H001C1	18
MX260PM	29	MX573.....	33	MX9512H001C1	7	MX9616.....	17
MX261.....	28	MX574.....	33	MX9513H001C1	7	MX9616H000C1	18
MX261AS	29	MX576.....	33	MX9513T.....	3	MX9616H001C1	18
MX262.....	28	MX578.....	33	MX9514.....	6	MX9625H003C1	19
MX263.....	29	MX661.....	34	MX9514H001C1	7	MX9625H003C1	19
MX264.....	29	MX663.....	34	MX9515.....	6	MX9625H004C1	19
MX267C1	30	MX664.....	34	MX9515H000C1	7	MX9630A	12
MX4133.....	31	MX666.....	34	MX9515H001C1	7	MX9635H001C1	20
MX4137.....	31	MX800.....	28	MX9516.....	6	MX9635H002C1	20
MX4138.....	31	MX8004T.....	21	MX9516H000C1	7	MX9635H003C1	20
MX43660.....	36	MX8005T.....	21	MX9516H001C1	7	MX9636H001C1	20
MX43661.....	36	MX801.....	36	MX9525H002C1	8	MX9644.....	15
MX43860.....	36	MX8024.....	22	MX9525H003C1	8	MX9645.....	15
MX441.....	37	MX805.....	36	MX9525H004C1	8	MX9647.....	15
MX441B	37	MX8133.....	22	MX9530T.....	2	MX9648.....	15
MX443.....	37	MX818P1	32	MX9535H001C1	9	MX999.....	36
MX447.....	37	MX821S.....	35	MX9535H002C1	9		
MX4705.....	25	MX822S.....	35	MX9535H003C1	9		
MX4710.....	25	MX823S.....	35	MX9536H001C1	9		
MX4805.....	25	MX848P1	21	MX9543.....	5		
MX4810.....	25	MX848T2SC	21	MX9544.....	5		
MX4830.....	25	MX848X2SC	21	MX9545.....	5		
MX503A	32	MX858P1	21	MX9547.....	5		
MX503GYA	32	MX860.....	22	MX9548.....	5		
MX503YA.....	32	MX866.....	22	MX960.....	14		
MX540R	34	MX920NF.....	30	MX9601A	12		
MX541R	34	MX921NF.....	30	MX9602A	13		
MX542R	34	MX922NF.....	30	MX9604A	12		
MX543R	34	MX923NF.....	30	MX9605A	12		
MX544R	34	MX950.....	4	MX9606A	13		
MX546R	34	MX9501T.....	2	MX960SCFA.....	14		
MX560.....	33	MX9502T.....	3	MX960SCNA	14		
MX561.....	33	MX9504T.....	2	MX960X2SC	14		
MX562.....	33	MX9505T.....	2	MX960XX.....	14		
MX563.....	33	MX9506T.....	3	MX960XY.....	14		

THE DETAILS GIVEN IN THIS LEAFLET ARE CORRECT AT THE TIME OF GOING TO PRESS. THE COMPANY RESERVES THE RIGHT TO IMPROVE THE EQUIPMENT SHOWN.

Smiths Medical ASD, Inc.

160 Weymouth Street, Rockland, MA 02370

Phone: (800) 848-1757 Fax: (800) 621-2590

www.smiths-medical.com

Smiths Medical, part of the global technology business Smiths Group

Caution: Federal law (U.S.A.) restricts this devices to sale by or on the order of a physician. Medex, TranStar, Kids Kits, SECURE, HemoDraw, LogiCal, NovaTrans, Clear-Cuff, C-Fusor, and the Smiths design mark are trademarks of the Smiths Medical family of companies. The symbol © indicates the trademark is registered in the U.S. Patent and Trademark Office and certain other countries. All other names and marks mentioned are the trade names, trademarks or service marks of their respective owners. Please refer to Instructions for Use supplied with the product for detailed instructions, warnings, and cautions. © 2008 Smiths Medical family of companies. All rights reserved. SM119 1.2008



smiths medical